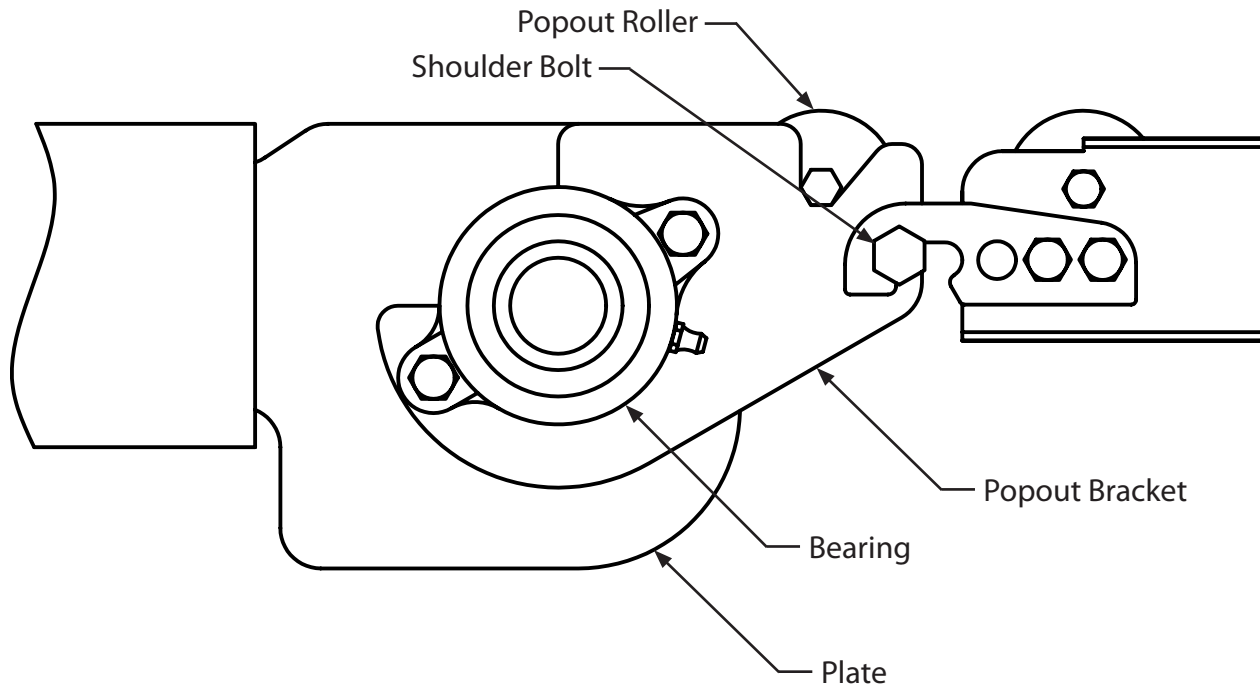

SB400 Popout Bracket & Roller



1. For installing SB400 Popout Bracket & Roller refer to the above illustration.
2. Bracket Kit or Roller must be purchased according to the belt width.
3. Loosen bearing set screw which seats against the pulley shaft.
4. Remove bearing bolts.
5. Install Popout Bracket between Bearing and Plate as shown.
6. Reinstall bolts and tighten.
7. Repeat with remaining Popout Bracket on opposite side.
8. Place roller between Brackets.
9. Optionally the shoulder bolt may be installed if a hook connection is desired.